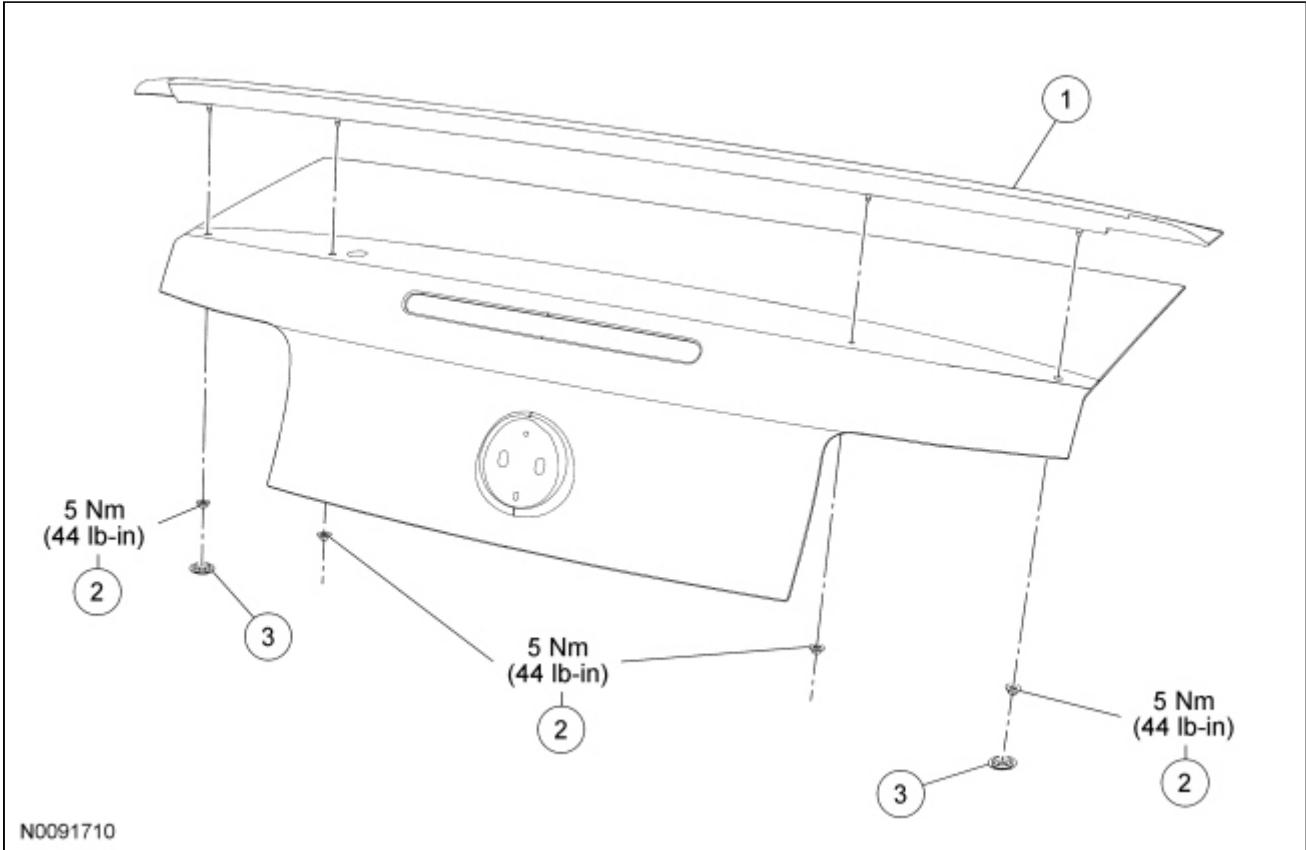


Spoiler — Rear

NOTE: GT shown, base vehicle and Shelby GT 500 similar.



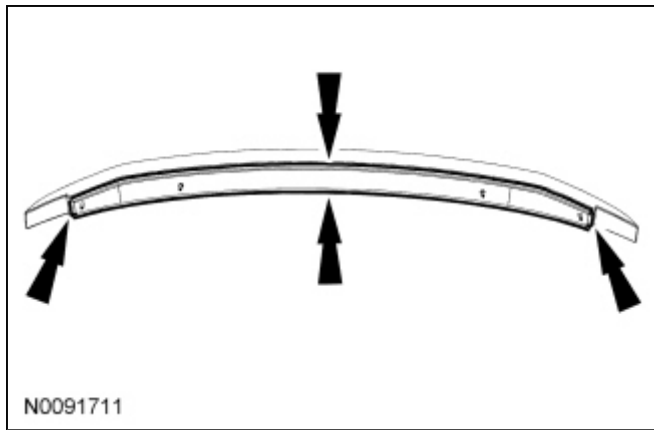
Item	Part Number	Description
1	41602	Rear spoiler
2	W702147	Rear spoiler nuts (4 required)
3	W709073	Rear spoiler plugs (2 required)

Removal

1. Remove the 4 nuts and remove the rear spoiler.

Installation

1. Clean the surfaces.
2. Apply double-sided tape to the rear spoiler as shown.



3. Install the rear spoiler.
 4. Install the 4 mounting nuts.
 - Tighten to 5 Nm (44 lb-in).
-